



## Foot Operator Terminal FBT

Modern design  
Modular construction  
Ergonomic operation

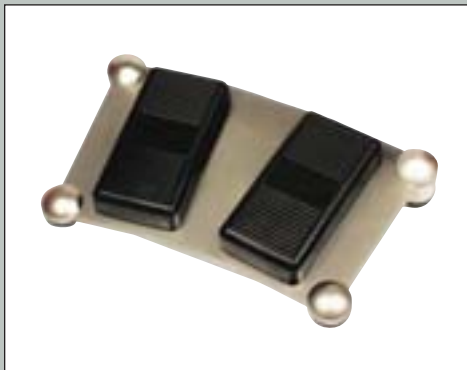
# Foot Operator Terminal FBT

One solution proven to be particularly useful for the human-machine interface is the Bernstein FBT Foot Operator Terminal - Ergonomics in a modern design! The modular construction of the FBT offers a wide variety of combinations to satisfy the requirements of differing control engineering applications. Conformance with strict hygiene regulations, avoidance of dirt traps, resistance to aggressive cleaners as well as the high degree of protection (IP X8) are achieved by the use of clear form, smooth surfaces with high quality treatments. One-piece covers with external sealing lips protect the control modules and pedals etc.

The FBT was developed in consultation with manufacturers of medical equipment and fulfils their industry's specific functional and visual requirements as well as those found in the pharmaceutical and food industries.



Article number: 6067243004  
Description: FBT2-DS1/DS1 SH



Article number: 6067240001  
Description: FBT2-DS1/DS1



Article number: 6067241002  
Description: FBT2-DS1/DS1 S



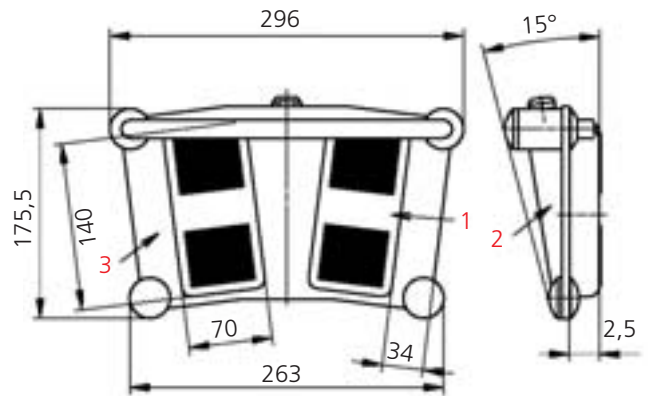
Article number: 6067242003  
Description: FBT2-DS1/DS1 H

# Made-to-measure solutions

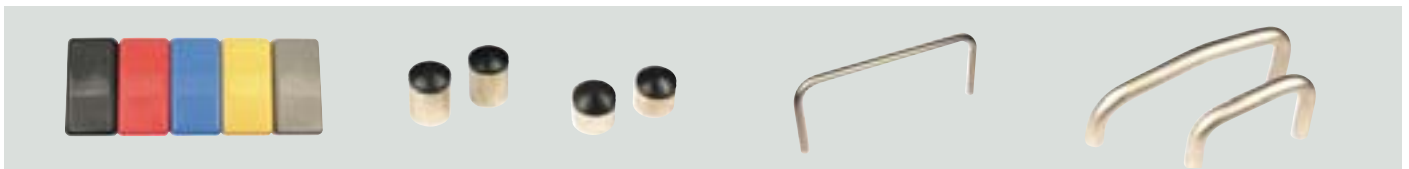
The user is able to combine the system components, 'control module' (1 in dia. opposite), cover (2), base plate (3), pillar feet, webs and handle to meet their individual requirements.

The ergonomic properties of the handle benefit the user by doubling up as a foot-rest, the web acts as a distinct separator between the control modules and the variable height pillar feet create an ideal working position.

With a choice of standard colours (red, blue, black, yellow and grey) the one-piece covers can be further customised with laser inscribed text for a totally individual appearance.



Dimensioned drawing of FBT2-DS1/DS1 H (all specifications in mm)



One-piece cover

Pillar feet

Handles

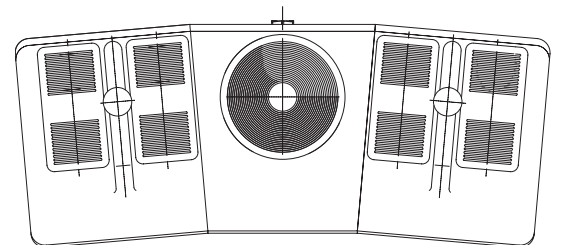
Webs

## Foot Control Module FBM

The modules can be individually combined to meet the requirements of any given application (see diagram). The FBM can also be used alone i.e. mounted on a piece of equipment, machine or plant.



Foot Operator Terminal with 2 joypads



Foot Operator Terminal with 1 joypad and 4 dual switch modules

## Example module variations Other versions on request

Description	Mono switch module	Dual switch module	Joypad
<b>Microswitch*</b>	1 (S1) / 2 (S2)	1 (DS1) / 2 (DS2)	1 (JP1) / 2 (JP2)
Foot Operator Module FBM	• / •	• / •	• / •
Foot Operator Terminal FBT1 (one module)	• / •	• / •	• / •
Foot Operator Terminal FBT2 (two modules)	• / •	• / •	• / •
Foot Operator Terminal FBT3 (three modules)	• / •	• / •	• / •

## Technical data

Operational data	
U <sub>i</sub>	250 VDC
Resistive load	2 A

\*A maximum of two microswitches can be used per ●

## Please copy, fill in and fax

### Yes, I would like to know more about the Bernstein Foot Operator Terminal FBT

- Please send us more data sheet information.
- Please send us the product catalogue.
- Please call us to arrange for consultation.  
Tel. no.: \_\_\_\_\_
- Please send us a quotation for \_\_\_\_\_  
Foot Operator Terminals FBT.

Comments:

---

---

---

---

---

Surname

---

First name

---

Street address

---

Town / postal code

---

Company

---

Position

---

Telephone

---

Fax

---

E-mail

#### **Bernstein AG**

Tieloser Weg 6  
D-32457 Porta Westfalica  
Telephone +49 571 793-0  
Fax +49 571 793-555  
info@bernstein-ag.de

#### **Bernstein Ltd.**

Unit One, Tintagel Way  
Westgate Park  
Westgate, Aldridge  
West Midlands, WS9 8EX  
Telephone +44 1922 744999  
Fax +44 1922 457555  
sales@bernstein-ltd.co.uk

[www.bernstein-ag.com](http://www.bernstein-ag.com)