

ergo.slide

– ergonomic quick adjustment of individual components

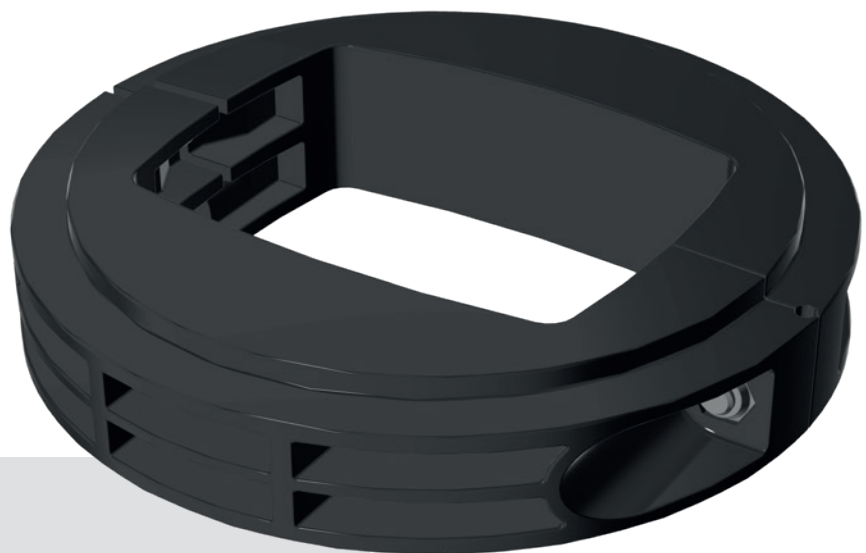
ergo.slide

Height adjustment of individual components – within seconds

Spontaneous and intuitive – the **ergo.slide** height adjustment makes changing the working posture a natural part of everyday working life. The easier, faster and more comfortable an adjustment is, the more frequently it is used. A simple and uncomplicated height adjustment of individual working components, such as the keyboard, is possible in a matter of seconds with the **ergo.slide** from BERNSTEIN. It meets all requirements of independent height adjustments of individual components of a control station – for example to different body postures and sizes and subjective requirements.

An accessory for suspension systems:

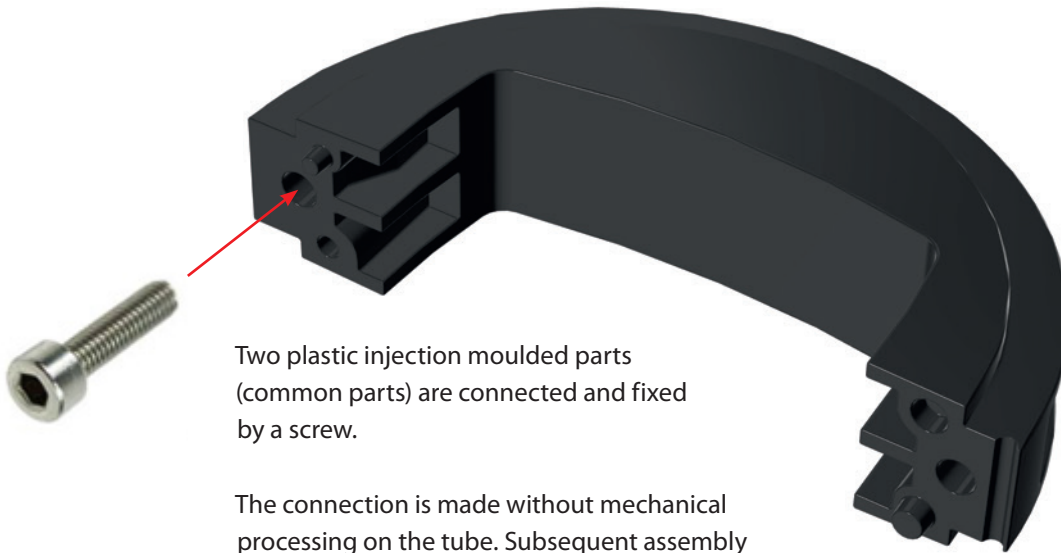
CS-3000 — CS-480 B.fle~~x~~ — CS-3000~~x~~
next



Technical data

- Maximum load: 25 kg
- Maximum number of height adjustments: 3500
- Easy adjustment by loosening the adjusting screw
- Safe and secure addition of system components
- Leaves no marks when gliding on the tube
- The storage components are held in a fixed position, but rotatable
- Can be used with a suspension system and a free standing column

How does the ergo.slide work?



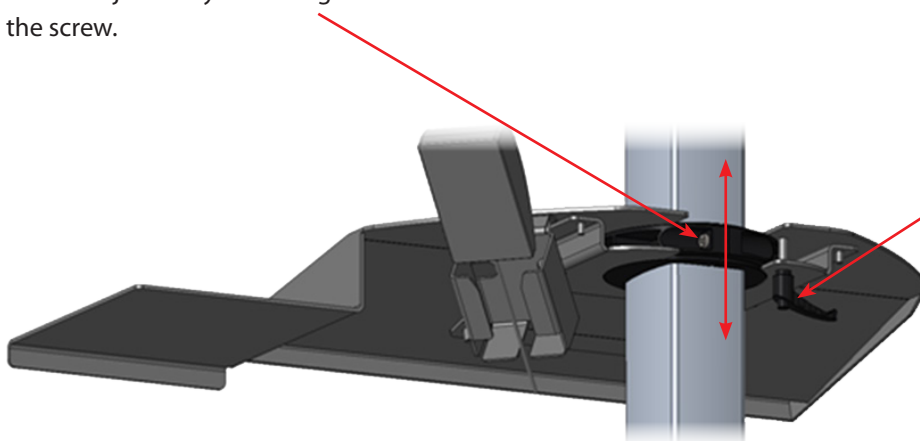
Two plastic injection moulded parts (common parts) are connected and fixed by a screw.

The connection is made without mechanical processing on the tube. Subsequent assembly (as a set) is also possible.

Rigid control elements and uniform workplaces, which demand forced and unnatural work postures, are a relic of past times in industry – thanks to modern health and safety laws.

Adjustment

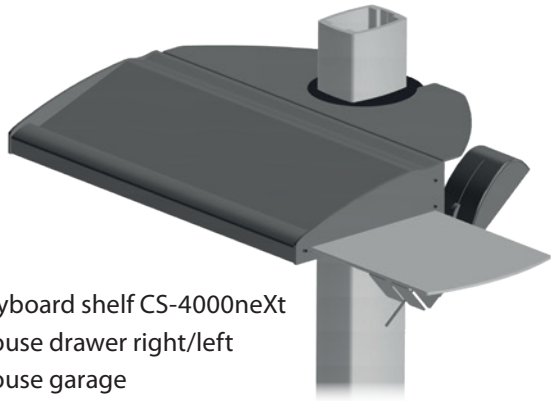
The height of the **ergo.slide** can be adjusted by loosening the screw.



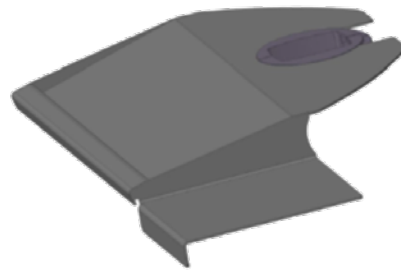
A rotation of the keyboard shelf is also possible after loosening the clamping levers.

Applications

Simple connection incl. height adjustment of keyboard shelves

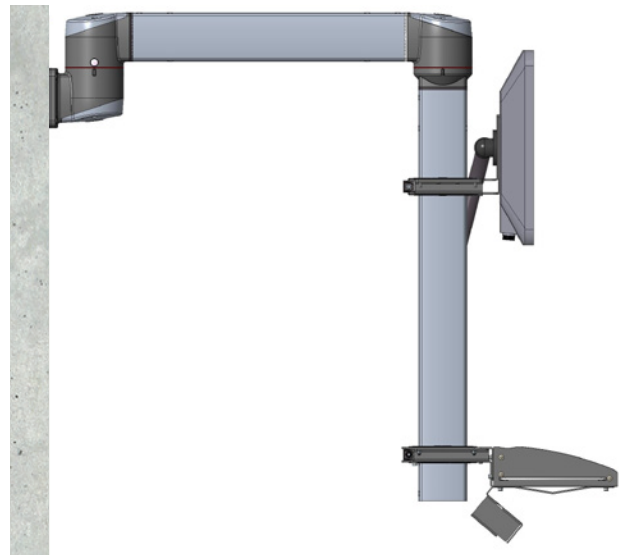
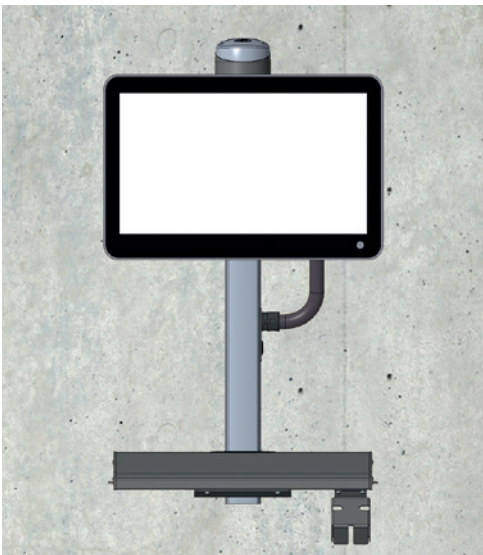


- Keyboard shelf CS-4000neXt
- Mouse drawer right/left
- Mouse garage



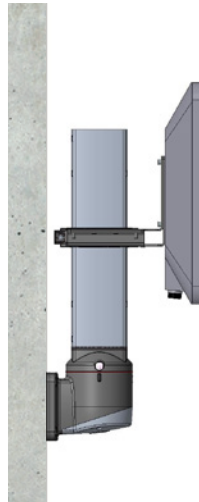
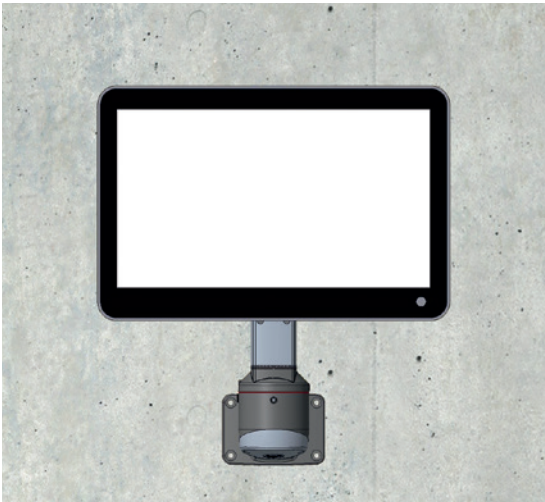
- Simple sheet metal keyboardshelf
- Incl. fixed mouse tray

Wall connection



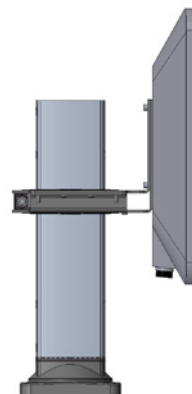
- Wall joint W rotatable CS-3000
- Elbow rotatable CS-3000
- CS-3000 tube incl. cover
- IPC Holder with **ergo•slide**
- **ergo•slide** Keyboard shelf

Wall connection



- Wall joint S CS-3000
- Tube CS-3000
- Incl. cover for tube covering
- IPC Holder with **ergo.slide**

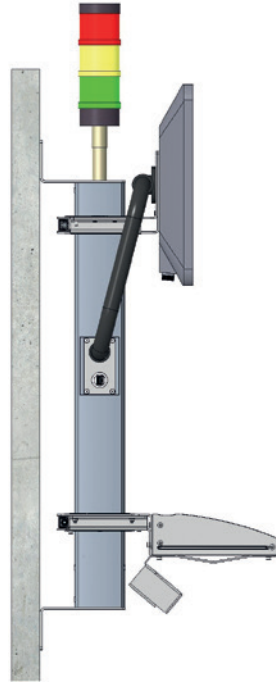
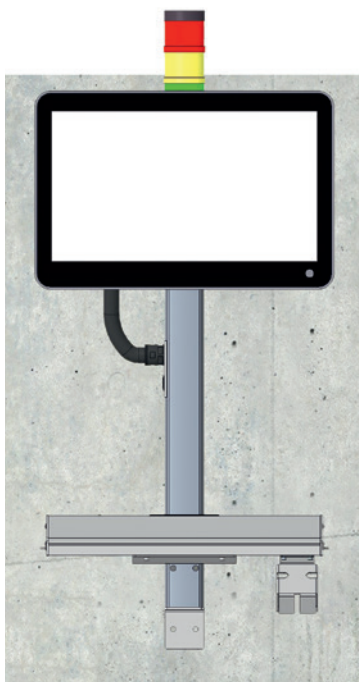
Base cabinet connection



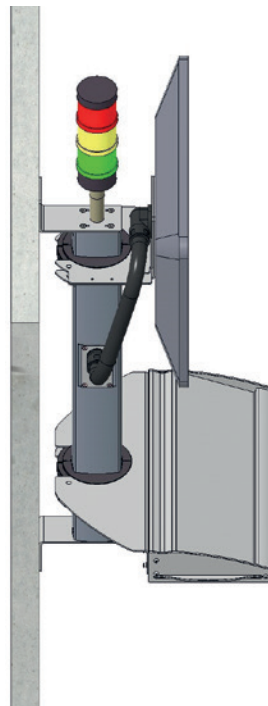
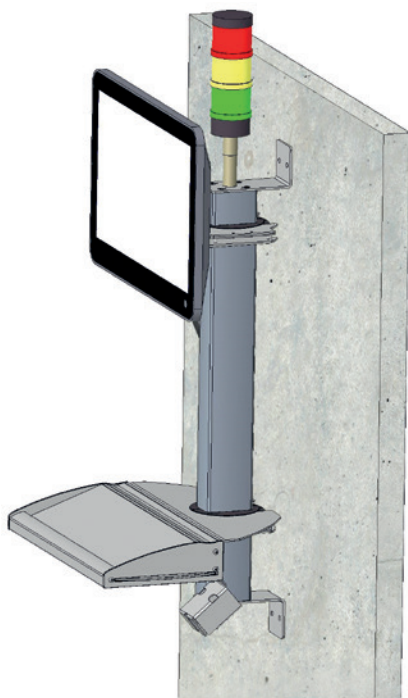
- Fixed base CS-3000
- CS-3000 tube incl. **ergo.slide** with VESA adapter
- Incl. cover

Applications

Machine connection



- Tube CS-3000
- Clamping elbow for mounting on the machine
- IPC Holder with **ergo•slide**
- **ergo•slide** keyboard shelf





Contact

International Headquarters
BERNSTEIN AG
Hans-Bernstein-Str. 1
D-32457 Porta Westfalica
Phone +49 571 793-0
Fax +49 571 793-555
info@de.bernstein.eu
www.bernstein.eu

Denmark
BERNSTEIN A/S
Phone +45 7020 0522
Fax +45 7020 0177
info@dk.bernstein.eu

France
BERNSTEIN S.A.R.L.
Phone +33 1 64 66 32 50
Fax +33 1 64 66 10 02
info@fr.bernstein.eu

Italy
BERNSTEIN S.r.l.
Phone +39 035 4549037
Fax +39 035 4549647
info@it.bernstein.eu

United Kingdom
BERNSTEIN Ltd
Phone +44 1922 744999
Fax +44 1922 457555
info@uk.bernstein.eu

Austria
BERNSTEIN GmbH
Phone +43 2256 62070-0
Fax +43 2256 62618
info@at.bernstein.eu

Switzerland
BERNSTEIN (Schweiz) AG
Phone +41 44 775 71-71
Fax +41 44 775 71-72
info@ch.bernstein.eu

Hungary
BERNSTEIN Kft.
Phone +36 1 4342295
Fax +36 1 4342299
info@hu.bernstein.eu

China
BERNSTEIN Safe Solutions
(Taicang) Co., Ltd.
Phone +86 512 81608180
Fax +86 512 81608181
info@bernstein-safesolutions.cn