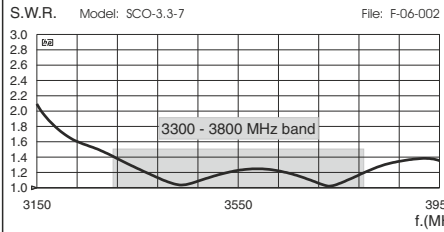


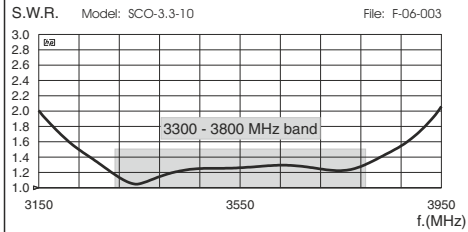
SCO-3.3-7

TYPICAL S.W.R. RESPONSE

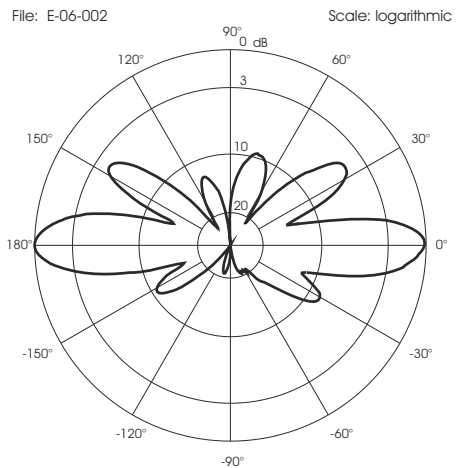


SCO-3.3-10

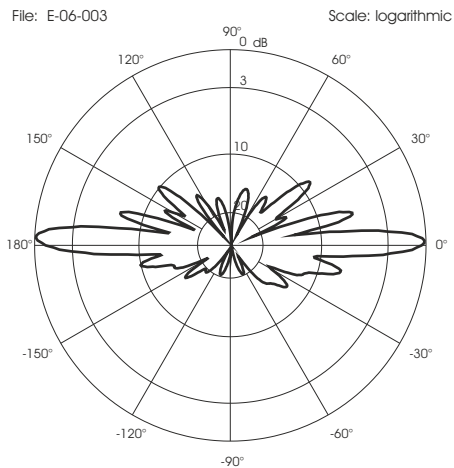
TYPICAL S.W.R. RESPONSE



TYPICAL RADIATION PATTERN IN E-PLANE at 3550 MHz



TYPICAL RADIATION PATTERN IN E-PLANE at 3550 MHz



OMNI LTE 3.3-3.8, WiMax, IEEE 802.16

SCO-3.3-7 SCO-3.3-10

SHF Base Station Antenna 3300 - 3800 MHz



SCO-3.3-7



SCO-3.3-10



HI-QUALITY ANTENNAS MADE IN ITALY

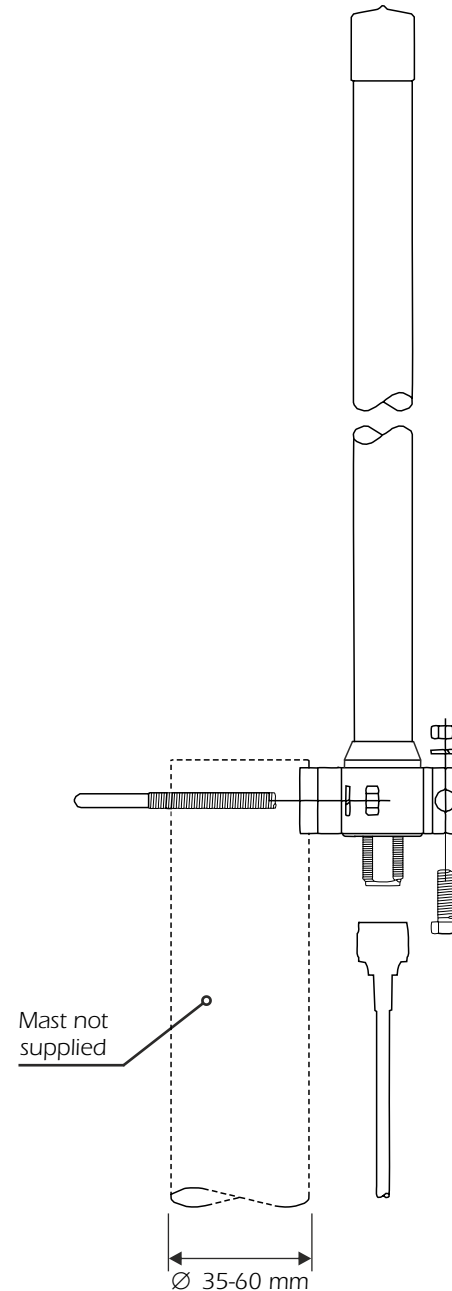
SPECIFICATIONS

| Electrical Data | SCO-3.3-7 | SCO-3.3-10 |
|---------------------------------------|---|--------------------------------|
| Type | 3 x 1/2 λ Dipole array | 7 x 1/2 λ Dipole array |
| Frequency Range @ SWR \leq 1.5 | 3.3 - 3.8 GHz (LTE 3.4 GHz) | |
| Impedance | 50 Ω | |
| Radiation (H-plane) | 360° omnidirectional | |
| Radiation (E-plane) Beamwidth @ -3 dB | 17° @ 3.55 GHz | 10° @ 3.55 GHz |
| Radiation angle deg. | 0° | |
| Polarization | Linear Vertical | |
| Gain | 7 dBi | 10 dBi |
| Max Power (CW) @ 30° C | 10 Watts | |
| Grounding Protection | All metal parts are DC-grounded, the inner conductor shows a DC-short | |
| Connector | N-female, gold plated pin | |

Mechanical Data

| | | |
|-----------------------------|---|--|
| Housing & Radome Material | Fiberglass, Chromed Brass, PCB | |
| Bracket & Hardware Material | Aluminium, Stainless steel | |
| Wind Load / Resistance | 10 N @ 150 Km/h / 200 Km/h; 124 mi/h | 20 N @ 150 Km/h / 200 Km/h; 124 mi/h |
| Wind Surface | 0.01 m ² ; 0.11 ft ² | 0.02 m ² ; 0.22 ft ² |
| Height (approx.) | 325 mm, 1.07 ft | 630 mm, 2.1 ft |
| Weight (approx.) | 350 gr, 0.77 lb | 410 gr, 0.9 lb |
| Operating Temperature | -20 °C to +80 °C | |
| Ingress protection | IP 66 | |
| Installation type | Mast: \varnothing 35-60 mm.; \varnothing 1.4-2.4 in with V-bolt | |

MOUNTING INSTRUCTIONS



Fixing bracket:



Bracket part list

| Q.ty | Description |
|-------------|----------------------------|
| 1 | Extruded aluminium bracket |
| 1 | M6x206 V-bolt |
| 1 | M6x20 Exagonal head screw |
| 3 | M6 Spring lock washer |
| 3 | M6 Hexagonal nut |
| Materials: | extruded aluminum |
| Hardware: | stainless steel |
| Dimensions: | 80 x 65 x 25 mm |
| Weight: | 110 g |

Re-order code: P/N SA303