



FEATURE HIGHLIGHTS

Comprehensive Connectivity

- LTE Cat 1
- 2x 100 Base TX RJ 45
- 2x LAN

Compact and Robust Design

- Efficient Power Consumption (<100 mW)
- Dimensions: 136 x 95 x 30 mm
- Industrial EMC
- -30°C to +75°C Operation

Reliable & Trustworthy Platform

- Multi WAN Failover
- Secure VPN and Firewall Isolation
- IEC62443-4-2 Cybersecurity Compliance*

Other Features

- SD Slot for Configuration and Storage
- Optional GPS Function
- Schedulable Power Management

Quick Deployment & Management

- ATOP NMS Management

High Quality Guaranteed

- Made in Taiwan with 5 Years Warranty

* Coming soon

PRODUCT DESCRIPTION

ATOP CR5201B IoT gateway is a super-low power consumption LTE gateway. In addition to high EMC protection, wide-temperature operation, and rugged metal housing, CR5201B series has a configurable power management mechanism to reduce device power consumption. It is suitable for various operations, especially in power-challenged environments.

Efficient Power Consumption



ATOP CR5201B supports Cellular LTE Cat-1. With extended idle and sleep modes, these standards have lower power consumption than other LTE standards. SE5201B/CR5201B further enhances this efficiency by using less than 100 mW power in sleep mode, allowing easy deployment in power-challenged environments.



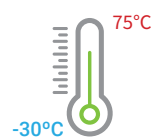
Exceptional Security

Integrating Firewall, Zone forwarding, and VPN functions, ATOP CR5201B allows you to connect your industrial network to the internet without fearing intrusions to your organization data.

Expandable SD Storage



ATOP CR5201B reserves the flexibility to extend its storage capacity through a built-in SD slot, so you can store more data on the IoT gateway for work efficiency as well.



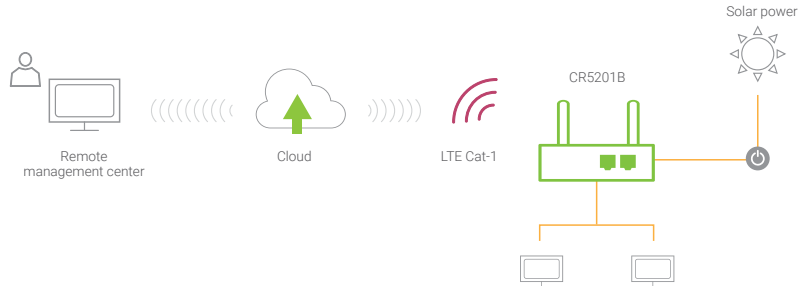
Endurance of Harsh Environments

ATOP CR5201B is proven to run at its maximum loading in the harshest EMC and climate environments.

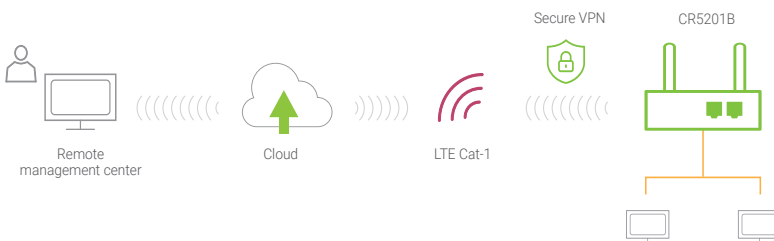
APPLICATIONS

As a Low Power Consumption IoT Gateway

CR5201B can act as a low power consumption gateway. Through its smart power management mechanism, the device switches to sleep mode or hibernation mode during non-service phases, and can be woken via scheduled management policies to serve functions when needed. It is especially suited where power supply is limiting, such as in systems powered by solar batteries.

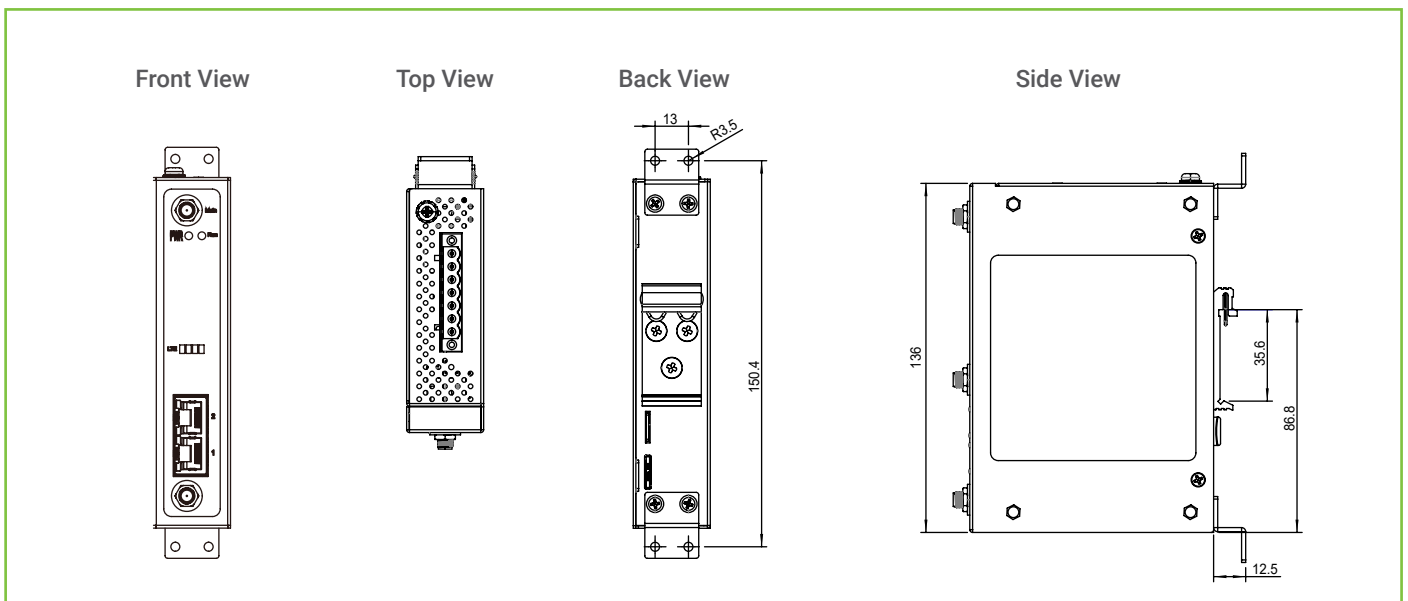


As a Cyber Security Gateway



CR5201B is also designed to act as a cyber security gateway. Un-secured network access will be denied by the firewall protection, while secured VPN tunnels enhance the security of your data transmission during the network communication. Security and encryption are indispensable to IoT, and therefore fundamental functions of CR5201B.

DIMENSIONS & LAYOUT



SPECIFICATIONS

Hardware Specifications	
Model Name	CR5201B Series
Cellular Interfaces	
Standards	LTE Cat 1
Ethernet Interfaces	
Standards	802.3 for 10BaseT(X) 802.3u for 100BaseT(X)
Ports	2 x RJ-45 10/100 BaseT(X), 1.5kV isolation
GNSS	
Standards	GPS/GLONASS
LED Indicators	
Power LED	1x Green LED
Run LED	1x Green LED
COM LED	1x Tx Green LED; 1x Rx Green LED
DI/DO LED	1x DI LED; 1x DO Green LED
LTE Signal	4X Green LED
Antennas	
Cellular	2 x SMA(M) Antenna for LTE Cat.1
GNSS (Optional)	1 x Wide-Band
Power Characteristics	
Connector Type	Terminal Block
Input Voltage	9 to 48 VDC
Power Consumption (SE5201B only)	Idle < 3W@12VDC; Hibernate < 100mW@12VDC
Reverse Polarity Protection	Yes
Physical Characteristics	
Housing	Metal housing, IP30 Protection
Dimension (W x H x D)	136 x 95 x 30 mm
Weight	TBD
Installation	DIN-Rail, Wall mount (Optional)
Reset Button	Yes
Environmental Limits	
Operating Temperature	-30 to +75 °C
Storage Temperature	-40 to + 85 °C
Ambient Relative Humidity	5% to 95% (non-condensing)
Ingress Protection Rating	IP30

SPECIFICATIONS

Software Specifications	
Protocols	TCP/IP, UDP, ARP, DHCP, SMTP, SNMP, Https, SNMP v1/v2/v3
Security	OpenVPN, IPSEC, L2TP
Virtual COM	Yes
Firewall	ACL, NAT, Port-forwarding
VPN	IPSEC, OpenVPN, L2TP
System Management	WEB, SSH, Telnet
Power Management	Scheduled power management - Sleep mode - Hibernation mode Multi waken-up mechanisms from sleep/hibernation modes - Timer

REGULATORY APPROVALS

Regulatory Approvals				
NCC	CNS 15936/15598-1			
Test	Item	Value	Level	
IEC 61000-4-2	ESD	Contact Discharge	±4KV	2
		Air Discharge	±8KV	3
IEC 61000-4-3	RS	Enclosure Port	10 (V/m) , 80-1000MHz	3
			3 (V/m), 1.4-6.0GHz	3
IEC 61000-4-4	EFT	DC Power Port Signal Port	±1.0KV@ 5.0kHz	2
			±1.0KV @ 5.0kHz	3
IEC 61000-4-5	Surge	DC Power Port Signal Port	Line-to-Line ±0.5KV	2
			Line-to-Earth ±1.0KV	2
			Line-to-Earth ±1.0KV	2
IEC 61000-4-6	CS	DC Power Port Signal Port	10V, 150KHz to 80MHz, 80%AM	3
			10V, 150KHz to 80MHz, 80%AM	3
IEC 61000-4-8	PFMF	Enclosure	30A/m (r.m.s), 50Hz or 60Hz	4
Shock	IEC 60068-2-27			
Freefall	IEC 60068-2-32			
Vibration	IEC60068-2-64			
Others	- ROHS, including 2015 amendment - REACH - TSCA (US) - TPCH (US) - Conflict mineral free			
MTBF	TBD			
Warranty	5 years			

ORDERING INFORMATION

Ordering information-C1

Model name	Description					
	Part Number	Cellular	Band	RS232/485 Serial Port	SIM Slots	GPS
CR5201B-E-T-C1	1P1CR5201B0011G	LTE Cat.1	B1/B3/B7/B8/B20/B28	-	1	-

Optional Accessories

Model name	Part Number	Description
UN315-1212(US-Y) LV6	50500151120003G	Y-Type (5.08 mm) adaptor, 100-240VAC input, 1.25A @ 12VDC output, US plug
UNE315-1212(EU-Y) LV6	50500151120013G	Y-Type (5.08 mm) adaptor, 100-240VAC input, 1.25A @ 12VDC output, EU plug
RFDPA46383ASBGBA01	59902241G	GPS Antenna(GPS/GLONASS/BeiDou)