

GW-R4513-E/AU Datasheet

File Version:V1.0.1



1. Product Overview

GW-R4513 is a 4G wireless router with the function of data transmission between RS485 and 4G, which provides users with an integrated solution of 4G router and DTU.

With high performance embedded CPU in the industry and working frequency up to 580MHz, it can improve the reliability of data transmission network for smart grid, personal medical, smart home and other data transmission fields. This product has many functions, such as APN/VPDN, VPN, DTU, mandatory portal, traffic control and so on. It has the advantages of high reliability, rich functions, simple operation and reasonable price.

This product supports wired WAN port and LAN port, wireless WLAN network and 4G. It has various networking functions and is convenient for users to lay their own network.

2. Product Features

- 1 wired LAN ports, 1 wired WAN ports (WAN ports can be switched to LAN ports).
- 2.45GWIFI wireless 802.11b/g/n
- Supports multiple LED communication indicators
- Support SSH, TELNET, Web package platform management configuration mode.
- Supports one button to restore factory settings.
- Ethernet port supports 10/100Mbps rate.
- Supports VPN Client (PPTP/L2TP/IPSEC/GRE/OPENVPN/SSTP) and supports VPN encryption and static IP functions.
- Supports APN automatic checking network, 2/3/4G system switching, SIM information display, support APN/VPDN special network card.
- Supports for wired wireless multi network simultaneous online and multi network intelligent switching backup function
- Supports remote upgrade and remote monitoring. (Remote:http://ycsj1.usriot.com)
- Dynamic Domain Name System (DDNS), Static Routing, PPPOE, DHCP, Static IP Function
- Support mandatory portal (WIFIDOG), this function needs to be customized according to customer needs.
- Supports the firewall, NAT, DMZ host, access control black-and-white list, IP speed limit, NTP, MAC speed limit.
- Supports SMS AT command
- 4 network work mode: TCP Server, TCP Client, UDP Server and UDP Client
- Every connection supports 20KB serial data cache. When connection is abnormal, cached data can 't be lost.
- Can configure registration packet / heartbeat packet.
- Supports network transmission mode, HTTPD mode, UDC mode and USR-Cloud.
- Supports AT command
- External hardware watchdog design to ensure system stability.

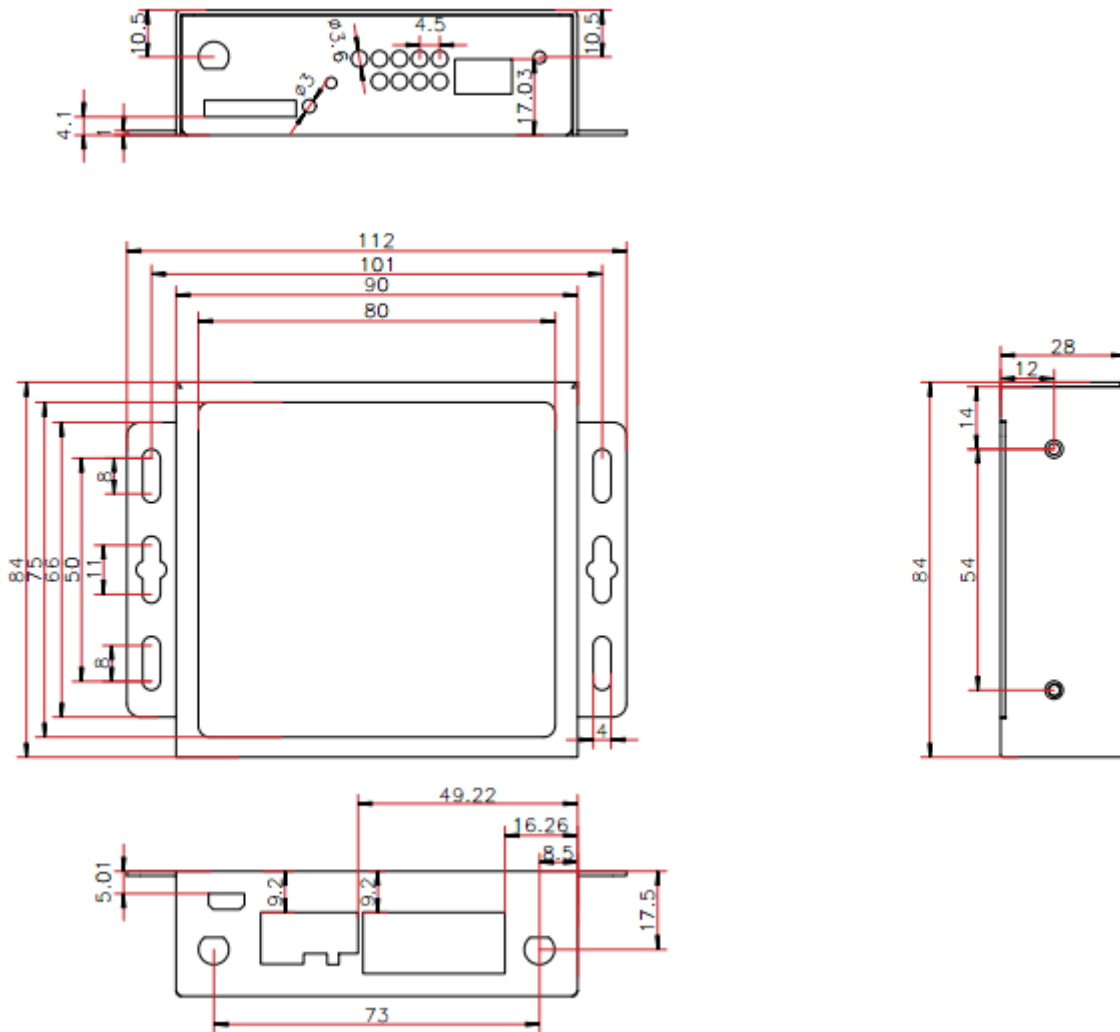
3. Product Specifications

4G parameters		
Standard	TD-LTE	
	FDD-LTE	
	WCDMA	
	TD-SCDMA	
	GSM/GPRS/EDGE	
Frequency band of GW-R4513-E (European version)	TDD-LTE	Band 38/39/40/41
	FDD-LTE	Band 1/3/5/7/8/20
	WCDMA	Band 1/5/8
	GSM/GPRS/EDGE	Band 3/8
Frequency band of GW-R4513-AU (Australian version)	TDD-LTE	Band 40
	FDD-LTE	Band 1/3/4/5/7/8/28
	WCDMA	Band 1/2/5/8
	GSM/GPRS/EDGE	Band 2/3/5/8
Transmit power	FDD-LTE	+23dBm(Power class 3)
	WCDMA	+23dBm(Power class 3)
	TD-SCDMA	+24dBm(Power class 2)
	GSM Band8	+33dBm(Power class 4)
	GSM Band3	+30dBm(Power class 1)
	TD-LTE	3GPP R9 CAT4 down 150 Mbp up 50 Mbps
Technical specifications	FDD-LTE	3GPP R9 CAT4 down 150 Mbp up 50 Mbps
	WCDMA	HSPA+ down 21 Mbps up 5.76 Mbps
	TD-SCDMA	3GPP R9 down 2.8 Mbps up 2.2 Mbps
	CDMA2000	down 3.1 Mbps up 1.8 Mbps
	GSM/EDGE	MAX: down 384 kbps up 128 kbps
Function		
DDNS	Support	
APN	Support	
VPN	Support	
Port mapping	Support	
Firewall	Support	
Intelligent backup	Support	
RS485 to 4G Data transmission	Support	
Net /WIFI		

LAN Port	1
WAN Port	1
Ethernet port rate	10/100M
RS485	Support
Electromagnetic isolation protection	1.5KV
Automatic switching between crossover and direct connection	1
TBD	1
Power	
VCC	9V-36V
Working current	Average 270mA/max 400mA/12V
Power interface	DC
Power protection	Anti reverse connection
Interface	
Antenna	WIFI Antenna x 1, 4G antenna x 1
Status lamp	signal intensity/4G/WIFI/LAN/WAN/power
Software	
V-COM	Windows 2000 (32 or 64 bit)
Setting method	Webpage, support SSH, telnet ,GW-R4513 setting software
Work environment	
Work temperature	-20~75c
Storage temperature	-40C~125C
Storage humidity	1%~95%RH (non condensation)

4. Product Dimensions

Size: 112.0 *84*28mm (L*W*H)



5. Contact Us

Company: Jinan USR IOT Technology Limited

Address: Floor 11, Building 1, No. 1166 Xinluo Street, Gaoxin District, Jinan, Shandong, 250101, China

Web: www.usriot.com

Support: h.usriot.com

Email: sales@usriot.com