

2JF0301P

GNSS Flexible Polymer

Key Features

GPS/GLONASS/BeiDou/QZSS/Galileo

- 1561-1606 MHz

Self-Adhesive

High Performance

Ground Plane Independent

Cable Detuning Resistance

Customizable Cable and Connector

Dimensions 55.4 × 12.4 × 0.2 mm



1. Antenna and electrical specifications

Parameters	GNSS Antenna		
	BeiDou	GPS/QZSS/Galileo	GLONASS
Standards			
Bands (MHz)	1561	1575	1602
Frequency (MHz)	1561.098	1575.42	1598-1606
Return Loss (dB)	~-15.6	~-16.4	~-21.6
VSWR	~1.4:1	~1.4:1	~1.2:1
Efficiency (%)	~50.2	~51.0	~50.9
Peak Gain (dBi)	~1.7	~1.7	~2.0
Average Gain (dB)	~-3.0	~-2.9	~-2.9
Impedance (Ohms)	50		
Radiation Pattern	Omni-Directional		
Polarization	Linear		
Max Input Power (W)	25		
Connector Type	U.FL Standard (Other Connectors Available)		
Cable Length	100mm Standard (Any Cable Length Available)		
Cable Type	1.37mm Mini-Coax Standard (Other Cables Available)		

Antenna Measurement Conditions:

Mounted on 30 x 30 x 0.25 cm ABS Plate

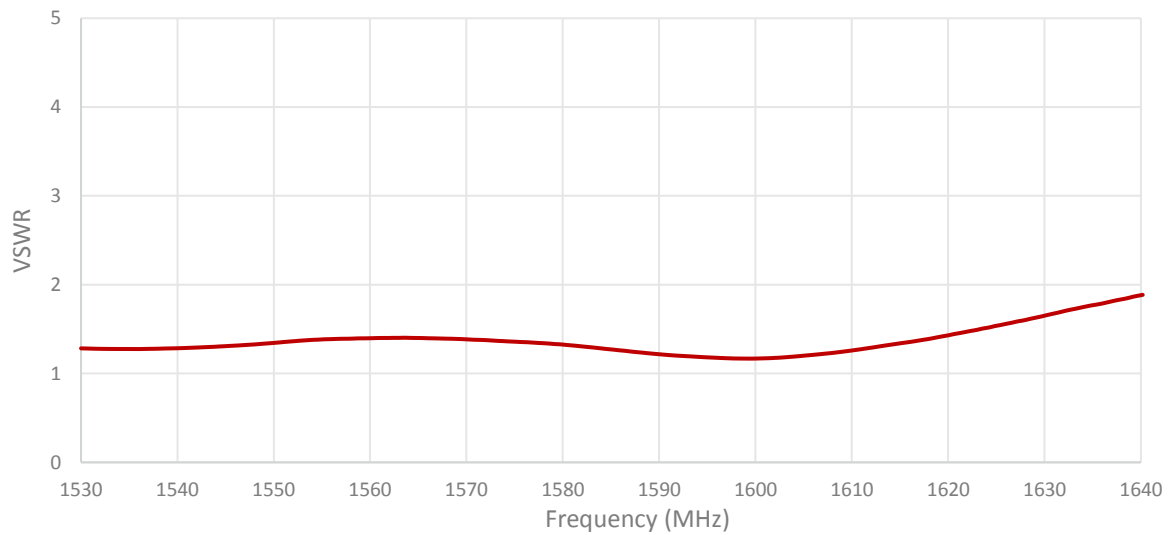
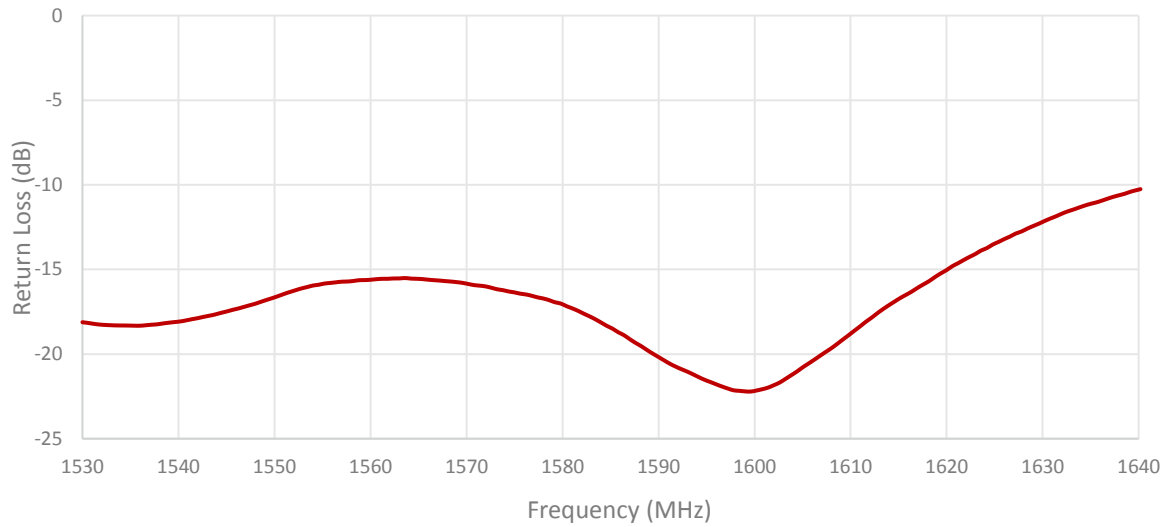
100mm of 1.37mm Mini-Coax Cable

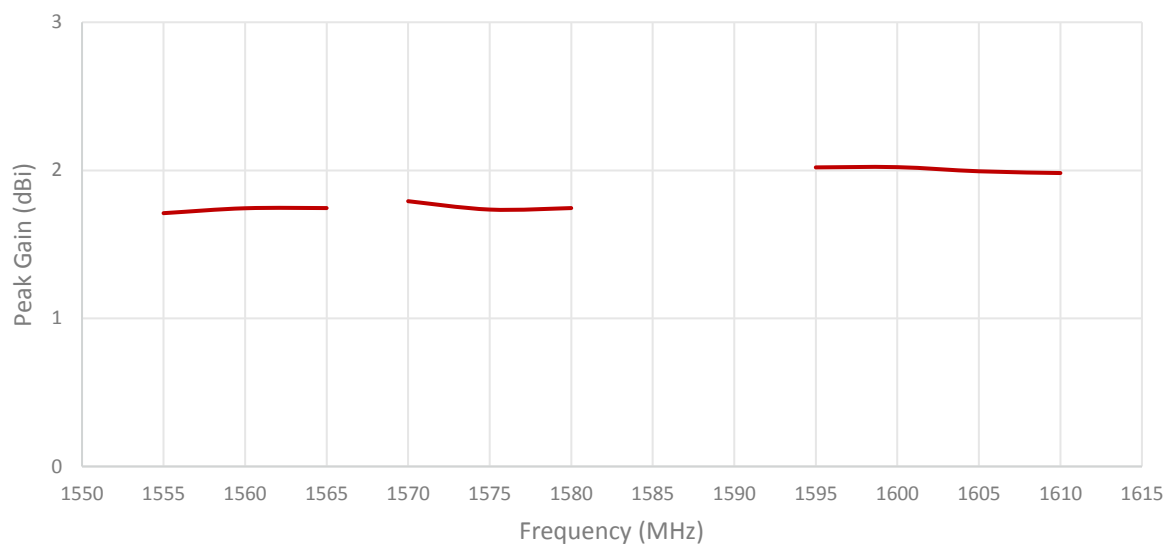
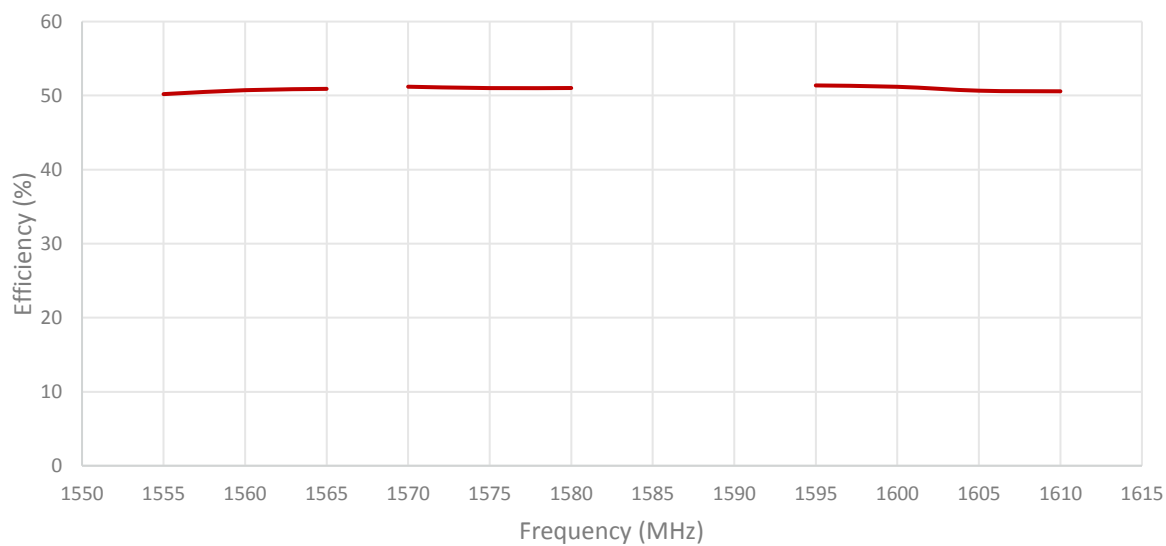
Measured in Certified CTIA 3D Anechoic Chamber

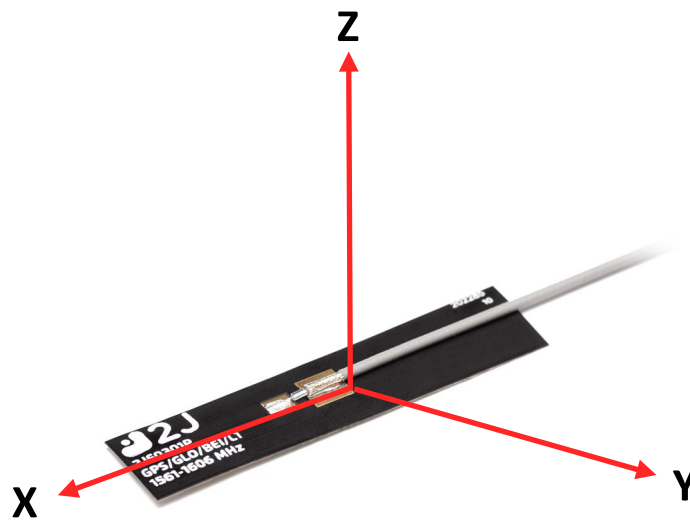
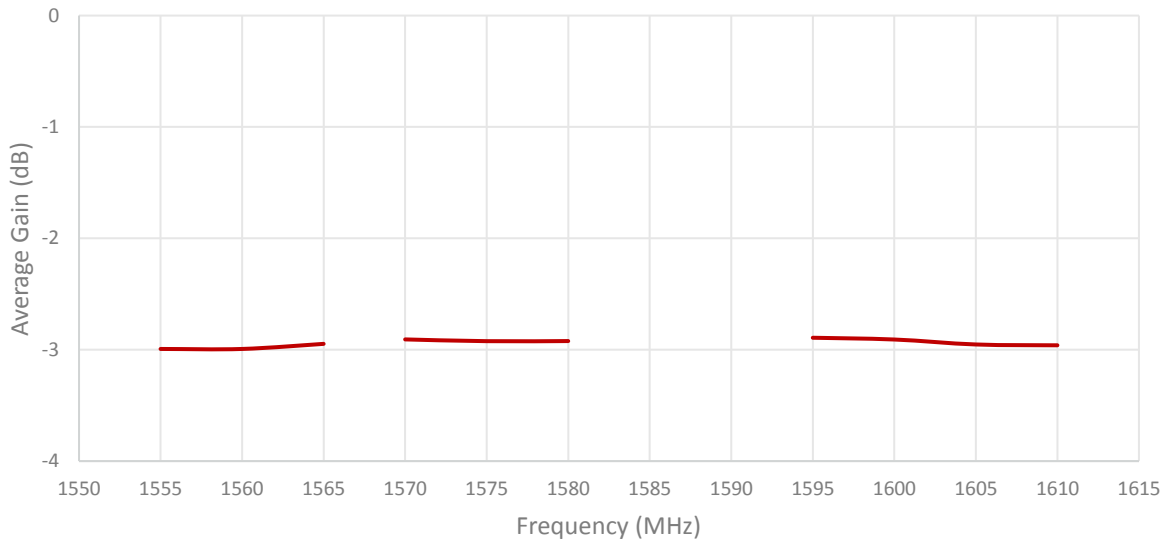
2. Mechanical and environmental specifications

Specifications	2JF0301P
Mounting Type	Self-Adhesive
Adhesive	3M 467
Dimensions (mm)	55.4 × 12.4 × 0.2
Material	Flexible Polymer
Operating Temperature (C)	-40 to +85
Storage Temperature (C)	-40 to +85
Substance Compliance	RoHS

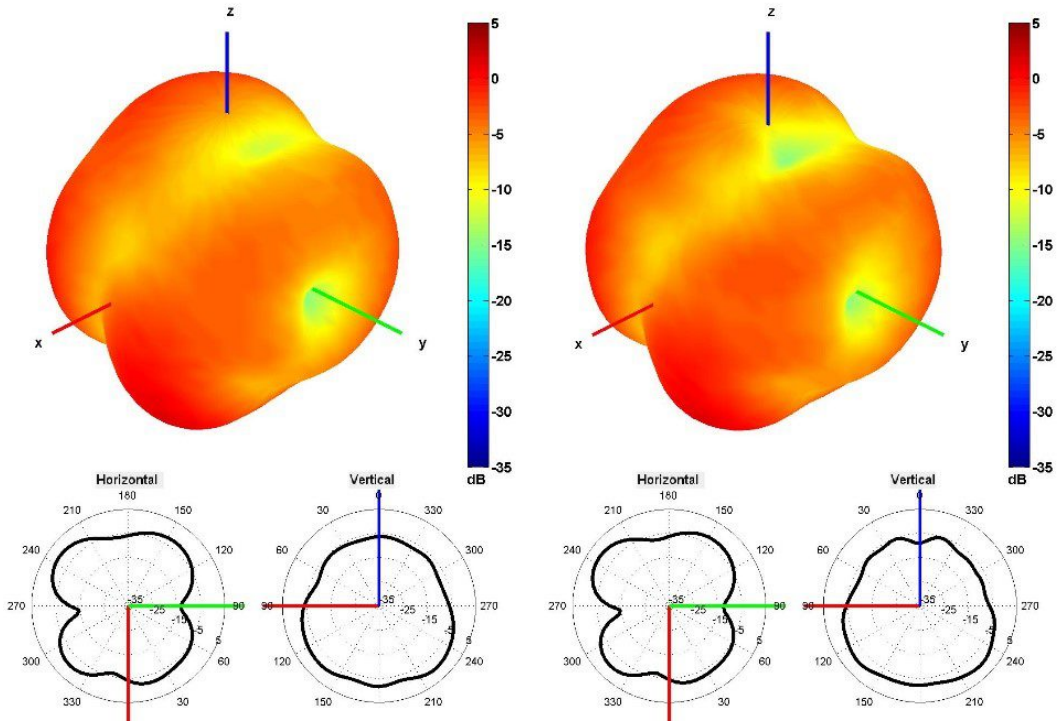
3. Antenna parameters



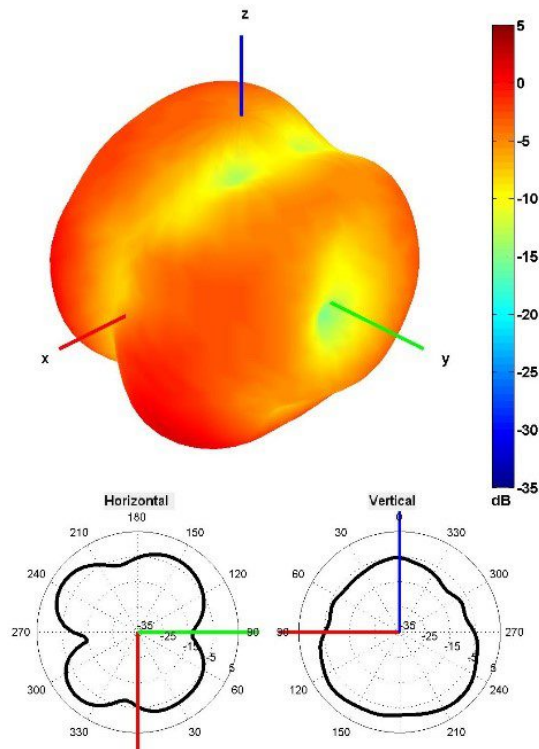




Radiation pattern reference

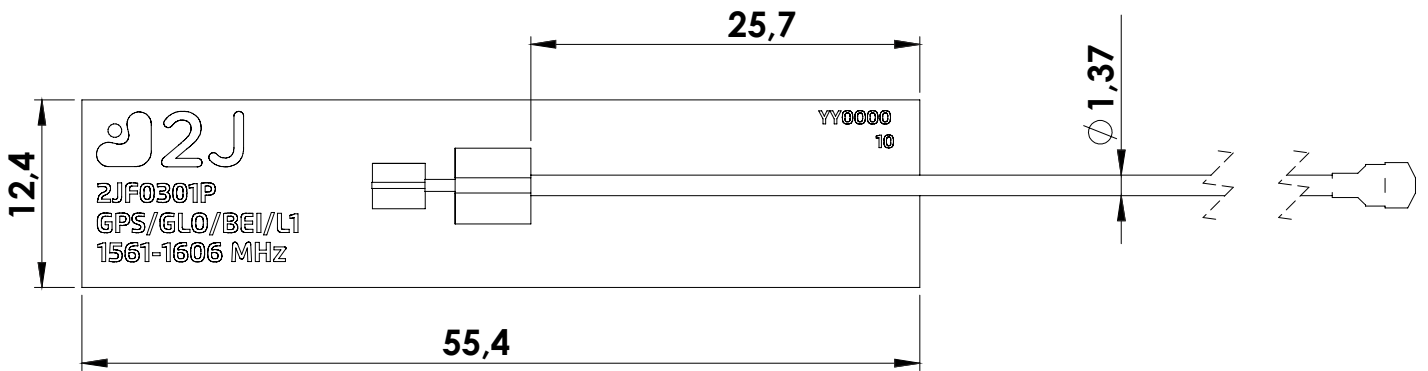
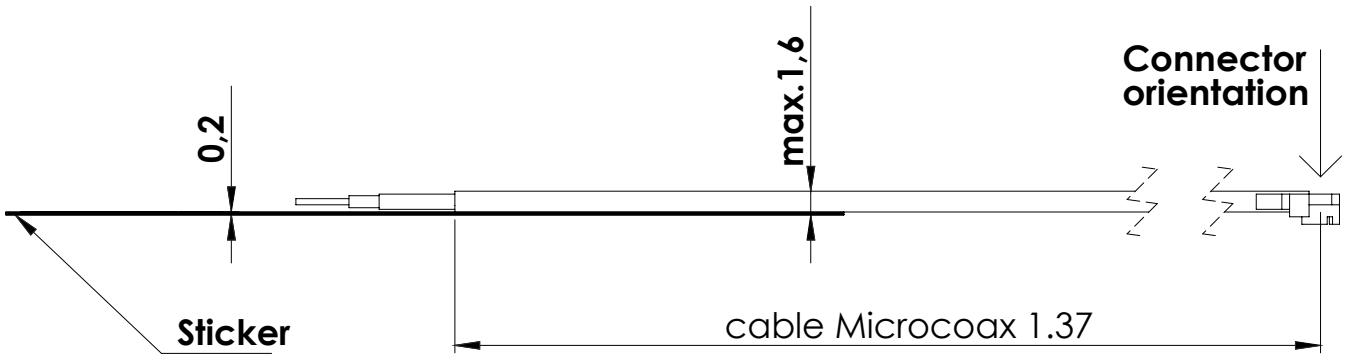


1561 and 1575 MHz Radiation pattern



1602 MHz Radiation pattern

4. Antenna drawings



5. Antenna Images

