

# 2J6605B

## (DATASHEET)

<b>Type</b>	Combined Wi-Fi/Cell antenna
<b>Frequencies</b>	<b><u>Cable 1</u></b> AMPS (850 MHz) GSM (900 MHz) DCS (1800 MHz) PCS (1900 MHz) 3G (UMTS 2.1 GHz)  <b><u>Cable 2</u></b> WIFI / BLUETOOTH (2.4 GHz) WIFI (5.1 - 5.9 GHz)
<b>Mounting</b>	Body Mount
<b>Revision</b>	00



# 1. SPECIFICATION

## 1.1. Electrical Specifications

### Wi-Fi (Cable 1)

Frequencies	WIFI / BLUETOOTH (2.4 GHz) WIFI (5.1 - 5.9 GHz)
Impedance	50 Ohms
Polarization	Horizontal
Gain	2 dBi max at 2,4 GHz
VSWR	< 2:1
Power handling	25 W

### Mobile (Cable 2)

Frequencies	AMPS (850 MHz) GSM (900 MHz) 3G (UMTS 2.1 GHz) DCS (1800 MHz) PCS (1900 MHz)
Impedance	50 Ohms
Polarization	Horizontal
Gain	2.2 dBi
VSWR	< 2:1
Power handling	25 W

## 1.2. General Specifications

Operating temperature	-40°C to +85°C
-----------------------	----------------

## 1.3. Connection Specifications

Cable 1 (Wi-Fi):

Connector type: upon request  
Cable: RG174U  
Cable length: 250 cm

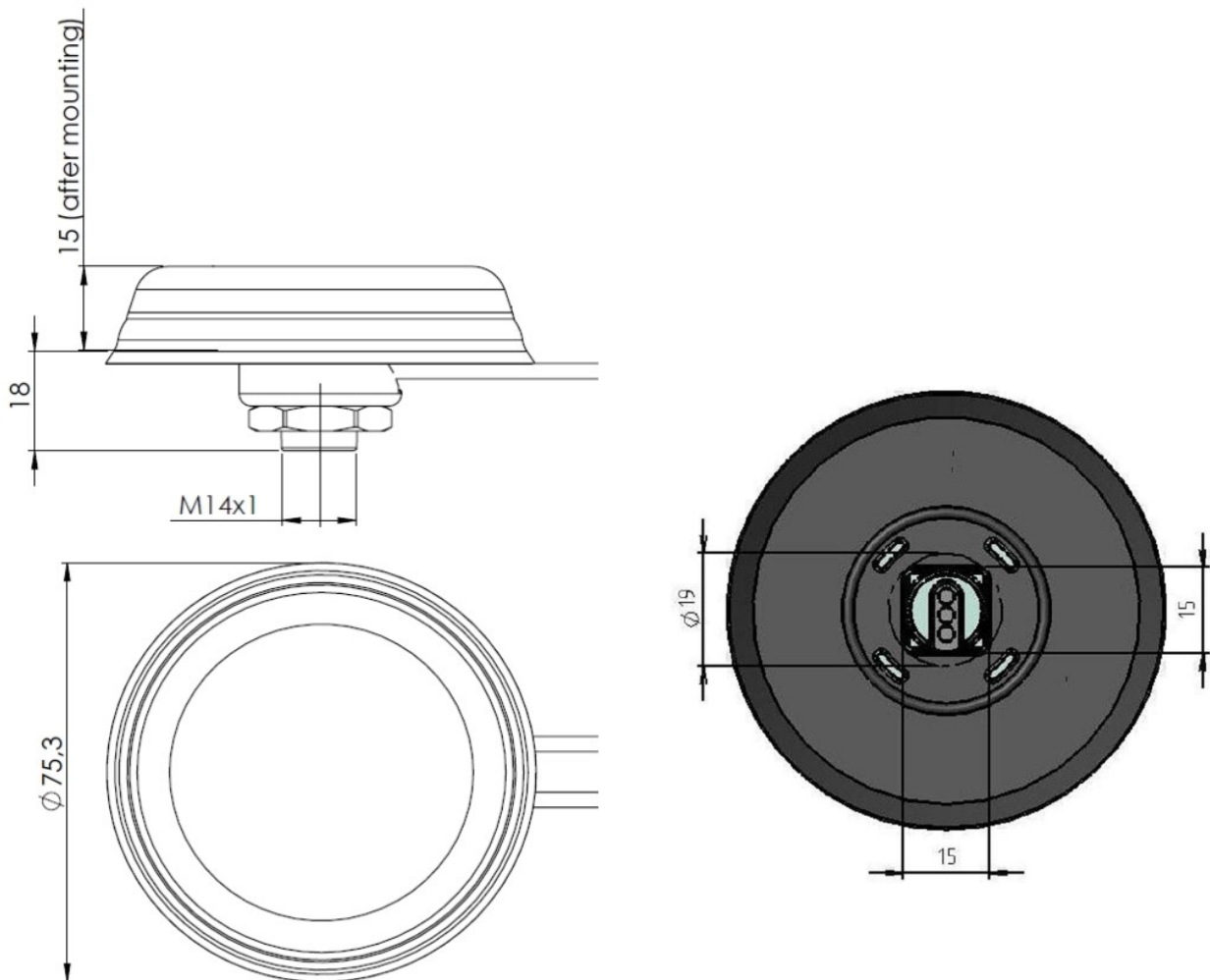
Cable 2 (Mobile):

Connector type: upon request  
Cable: RG174U  
Cable length: 250 cm

For different cable length and connector type ask our sales team.

## 1.4. Mechanical Specifications and Dimensions

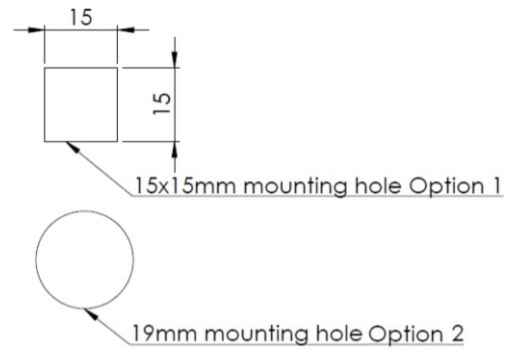
Material:	Lid: ABS / Base: Zamak / Gasket: TPE
Max. Dimensions:	77.3 mm x 15 mm (D x H after mounting)
Weight:	200 g 'weight with connection above'
Colour:	Black (for different colours please ask our sales team)
Mounting hole:	<ul style="list-style-type: none"> <li>• Square 15mm x 15mm</li> <li>• Diameter 19mm</li> </ul>
Max. surface thickness:	4.5mm (for thicker surface ask our sales team)
Recommended torque:	6 Nm
Wrench size:	22mm



## Basic shape of base



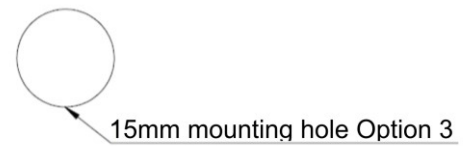
## Mounting holes



---

## Optional shape of base with full thread

## Mounting hole





---

Screw M14x1



## 2. MEASUREMENT

### 2.1. Set for Measurements

Connection:	Used default cable length and connection.
Temperature:	25 °C
Input power:	0 dBm

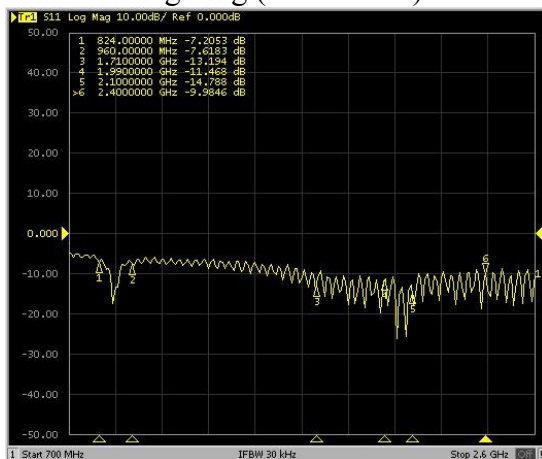
DAMS positioner with AUT and reference antenna are placed in anechoic chamber

- Antenna placed on 30x30cm groundplane
- Connected to DAMS positioner with 2,5m RG174LL

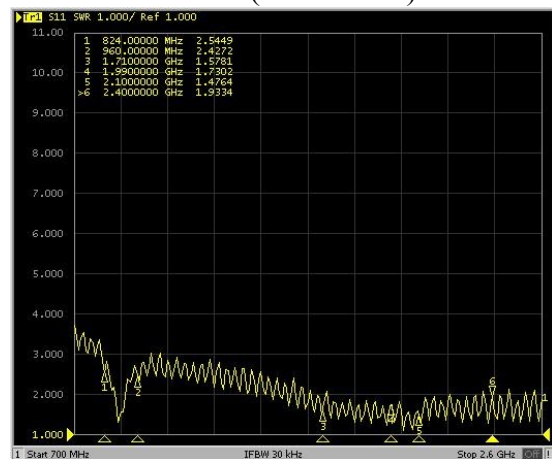
### 2.2. Electrical Characteristics

#### 2.2.1. S11 (Cell)

Log Mag (Penta Band)



VSWR (Penta Band)



#### 2.2.2. S11 (Wi-Fi)



### **2.3. *Radiation Patterns***

### 3. IMAGES

