



# 2J6604B

## (Datasheet)

<b>Type</b>	GSM antenna
<b>Frequencies</b>	AMPS (824-894 MHz) GSM (900 MHz) DCS (1800 MHz) PCS (1900 MHz) 3G (UMTS 2.1 GHz) WIFI / BLUETOOTH (2.4 GHz)
<b>Mounting</b>	Body Mount
<b>Revision</b>	00



P. Tipul

# 1. SPECIFICATION

## 1.1. Electrical Specifications

Frequencies	AMPS (824-894 MHz) ISM (868 MHz) GSM (900 MHz) DCS (1800 MHz) PCS (1900 MHz) 3G (UMTS 2.1 GHz) WIFI / BLUETOOTH (2.4 GHz)
Impedance	50 Ohms
Polarization	Linear
Gain*	2.2 dBi Avg.
VSWR**	<2.6:1
Operating temperature	-40°C to +85°C
IP/IK ratings	IP67

\*Antenna gain depend on size of the ground plane

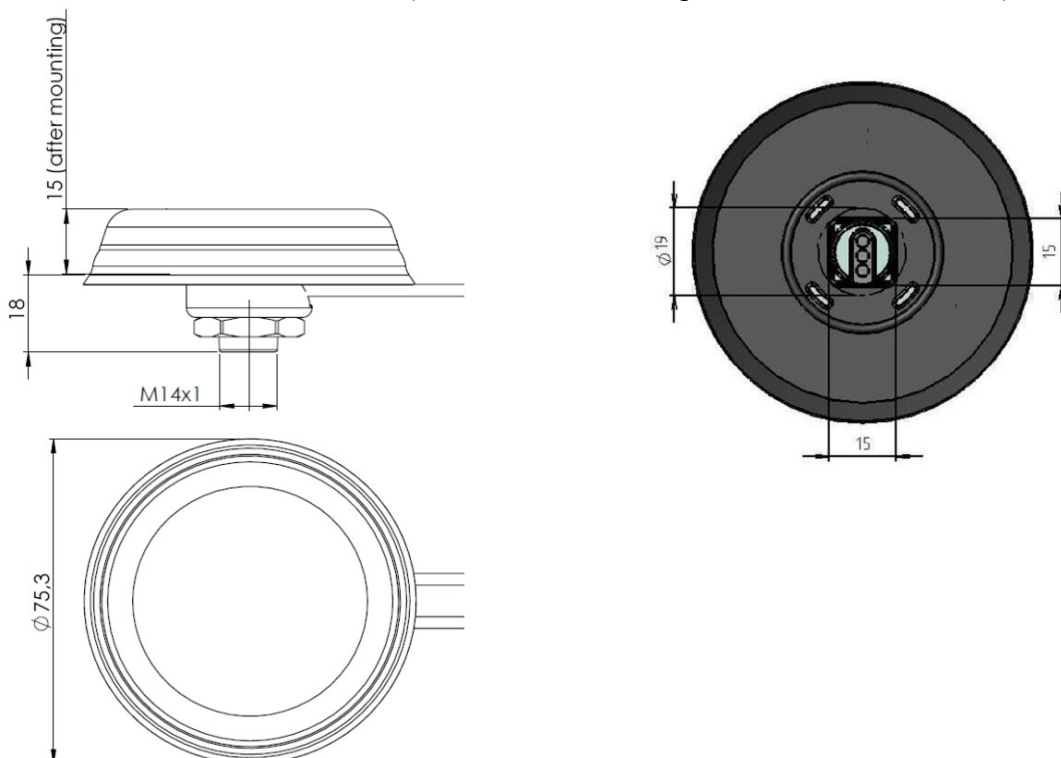
\*\*SWR stated when measured with 2.5m RG174 on 50x50cm ground-plane

## 1.2. Connection Specifications

Connector type: FME female  
Cable: RG174U  
Cable length: 250 cm

## 1.3. Mechanical Specifications and Dimensions

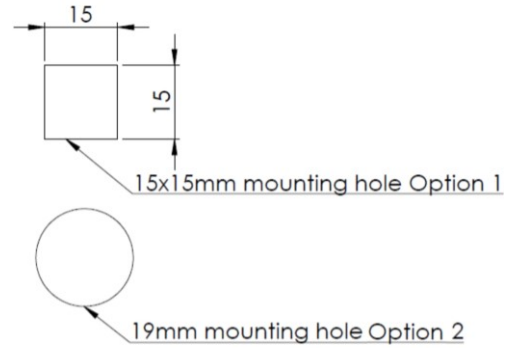
Material: Lid: ABS / Base: Zamak / Gasket: TPE  
Dimensions: 77.4mm x 15.9mm (dimensions after mounting)  
Weight: 150 g (counted with 2.5m cable RG174)  
Colour: Black (for different colours please ask our sales team)



## Basic shape of base



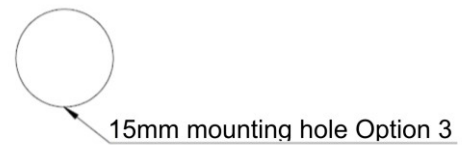
## Mounting holes



---

## Optional shape of base with full thread

## Mounting hole





---

Screw M14x1



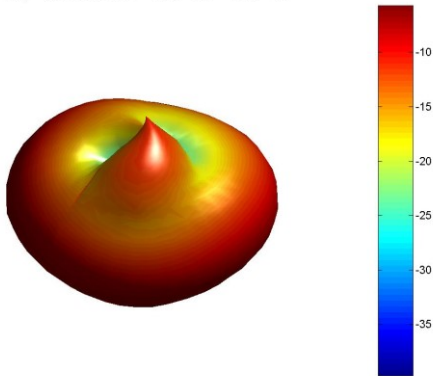
## 2. MEASUREMENT

### 2.1. Test Condition

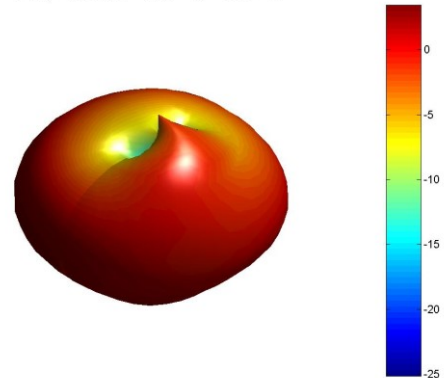
- 25cm x 25cm ground-plane
- Tested in anechoic chamber
- Cable length 30cm

### 2.2. Electrical Characteristics

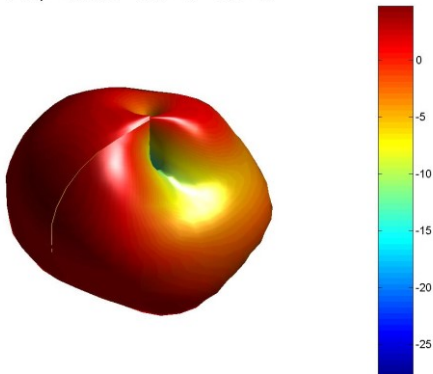
850MHz  
Freq = 0.8500GHz Az= 45 EL= 45



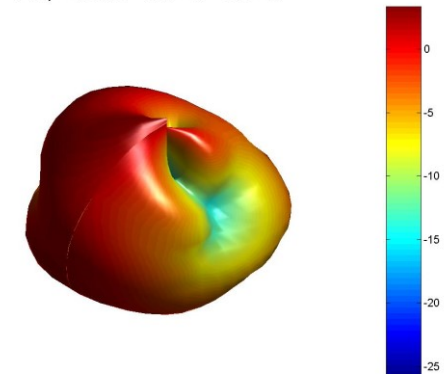
900MHz  
Freq = 0.9GHz Az= 45 EL= 45



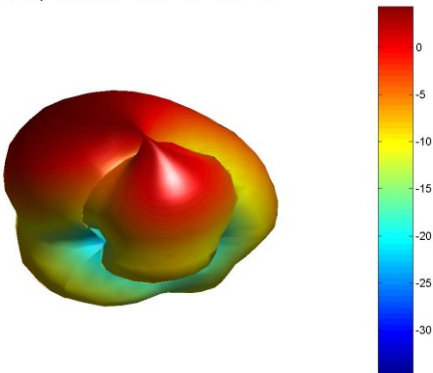
1800MHz  
Freq = 1.8GHz Az= 45 EL= 45



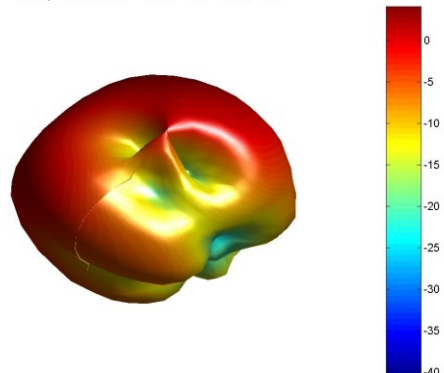
1900MHz  
Freq = 1.9GHz Az= 45 EL= 45



2100MHz  
Freq = 2.1GHz Az= 45 EL= 45

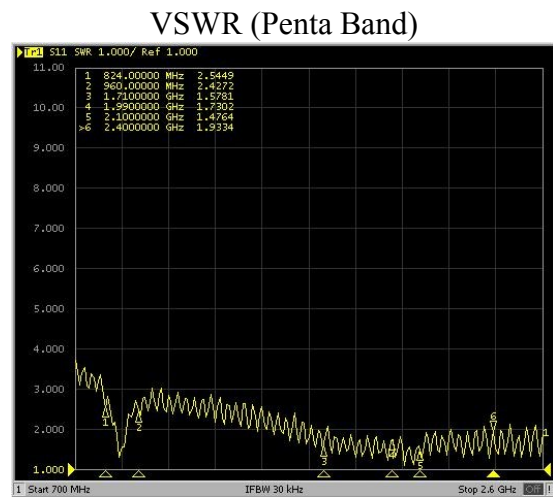
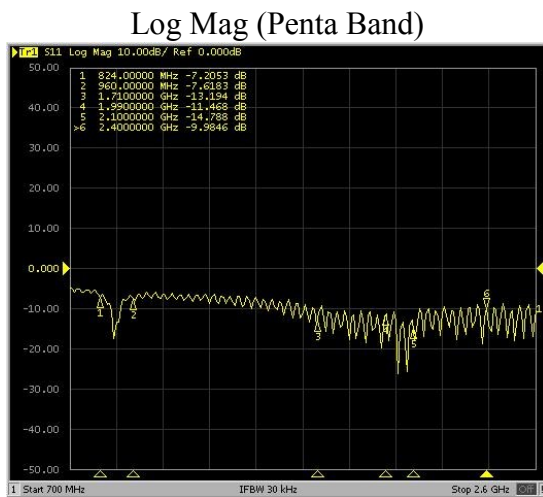


2400MHz  
Freq = 2.4GHz Az= 45 EL= 45



### 2.3. S11

- Tested with 2.5m cable length on 50 cm x 50 cm ground plane.



### 3. IMAGES

